



aperta ™

APDSPXMW | MULTIWAY VIDEO DOOR STATION WITH PROXIMITY READER



USER MANUAL



www.espuke.com





Contents

System Components	3
Installation	3
Door Station Wiring Example 1	4
Door Station Wiring Example 2	5
Lock Connection Example 1	6
Lock Connection Example 2	7
Door Station Programming Guide	8
Door Station Keypad User Guide	10
Installer's troubleshooting Guide	13
Optional Accessories	13

System Cabling

All system cabling (excluding mains 240vAC supply) has been tested with Cat5E UTP PVC cable.



Part Number - A8NFORCE5EUTP

Find this product online:
elandcables.com | Cables & Accessories | LAN Cable | Cat 5E UTP PVC Cable



System Components



APDSPXMW
Multi-Way Door Station



Blue User Tag
Allows holder to release the door



Green Programming Tag
Allows holder to ADD additional user tags



Red Programming Tag
Allows holder to REMOVE additional user tags



APPOWMW
System Power Supply Unit



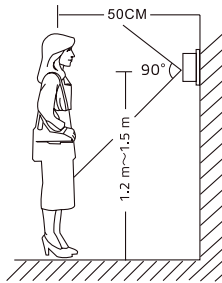
APSEPMW
Power Supply Separator



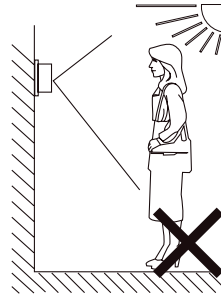
APBC4MW
System Branch Controller



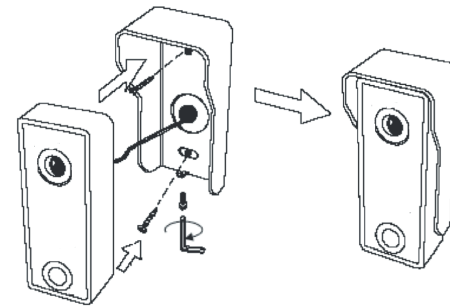
Site the door station a recommended 1.5 meters from the ground, or to suit application.



The camera needs to point in the direction of where a visitor will stand during operation.



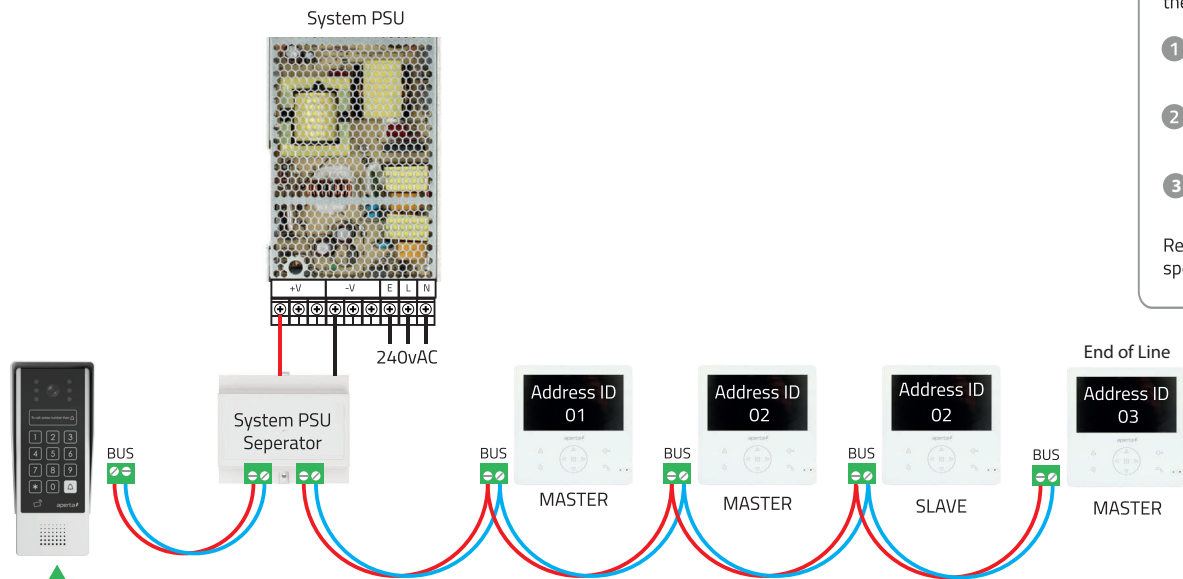
Avoid areas of high sunlight and noise levels.



Surface mount the sunshield of the door station and connect the system cabling. Mount the camera to the sunshield by fixing with the supplied hex screw.



Door Station Wiring Example 1



- Each monitor requires the following:
- 1 Set up as a Master or Slave
 - 2 Set up with a unique Address ID: 01-32
 - 3 Set 'End of Line' devices
- Refer to the monitor's specific Set up guide

Address ID 01

Ensure the Address ID switches are both set to OFF

Cable run between door station and furthest monitor should not exceed 150 meters

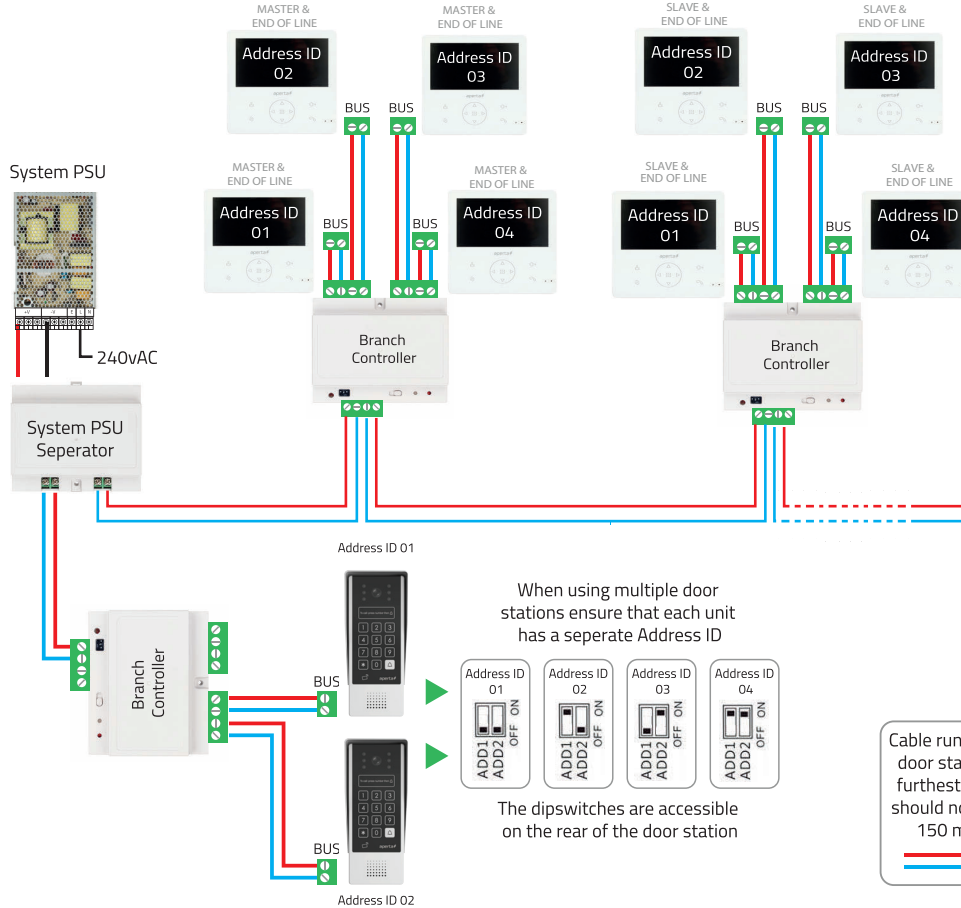
Power supply to be with-in 100 meters of monitor

No cable or connection polarity



Door Station Wiring Example 2

4 Apartments with 2 monitors each



Each monitor requires the following:

- 1 Set up as a Master or Slave
- 2 Set up with a unique Address ID: 01-32
- 3 Set 'End of Line' devices

Refer to the monitor's specific Set up guide

Each branch controller requires the following:

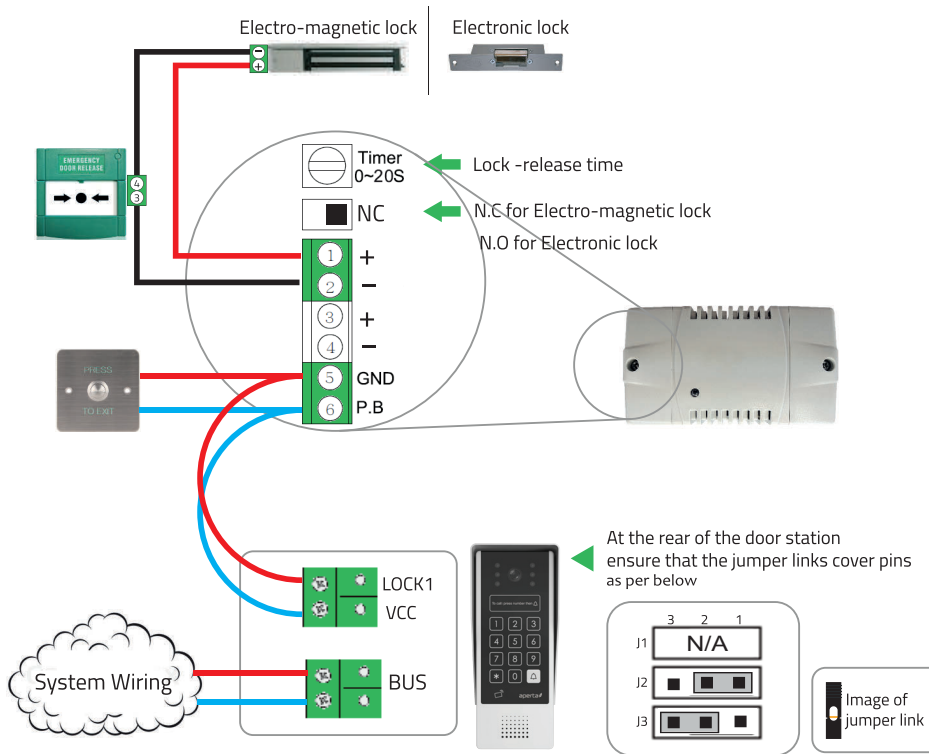
- 1 Adjusted dipswitch settings;
 - When in use with monitors
 - When in use with door stations
- 2 The branch controller at the end of the line has the impedance switch to ON the indication LED will turn amber

Cable run between door station and furthest monitor should not exceed 150 meters

Power supply to be with-in 100 meters of monitor

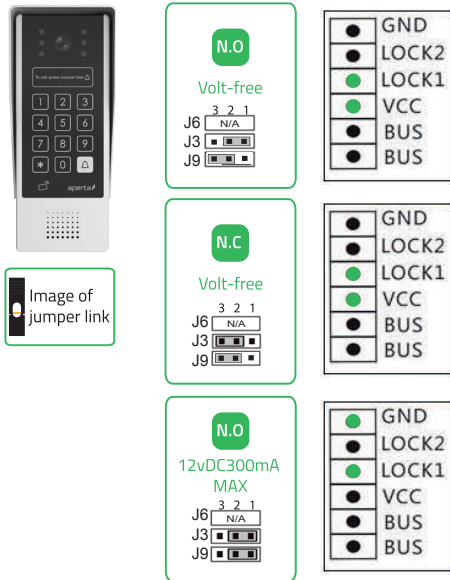
No cable or connection polarity

Lock Connection Example 1

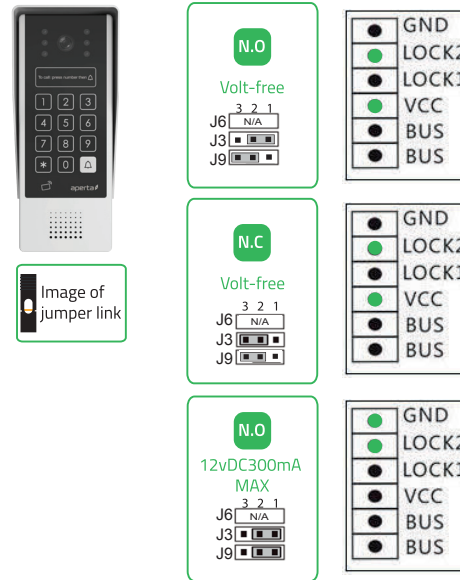


Lock Connection Example 2

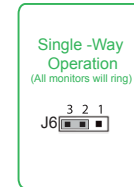
- The jumpers on the rear of the door station offer different types of release modes for alternative applications dependent on the jumper link settings. LOCK1 options;



- The door station has a secondary switch. LOCK2 options;



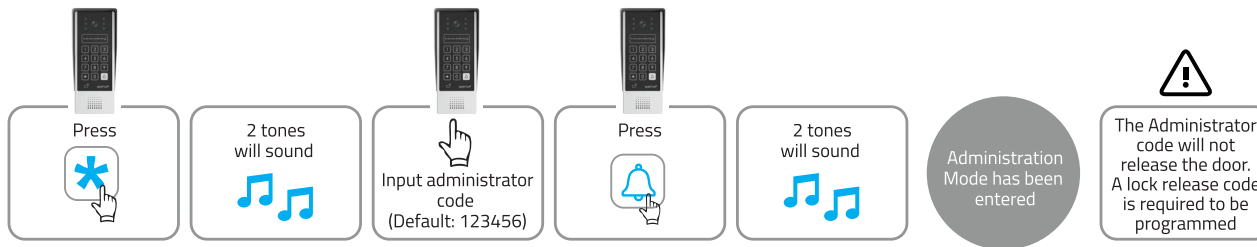
- Door Station Operation can be switched from multiway to single way via J6



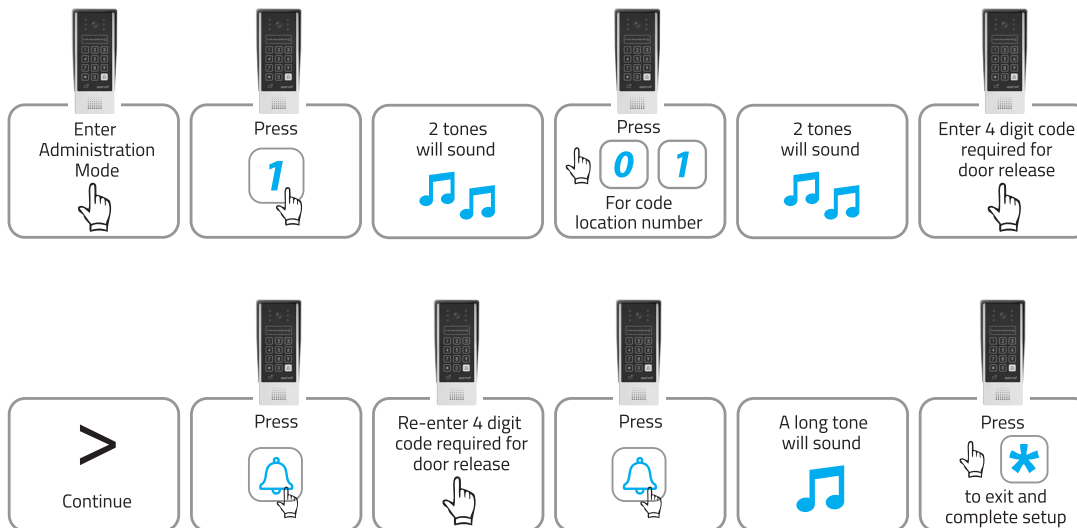
- Please refer to the operation guide for release instructions

Door Station Programming Guide

Entering Administration Mode

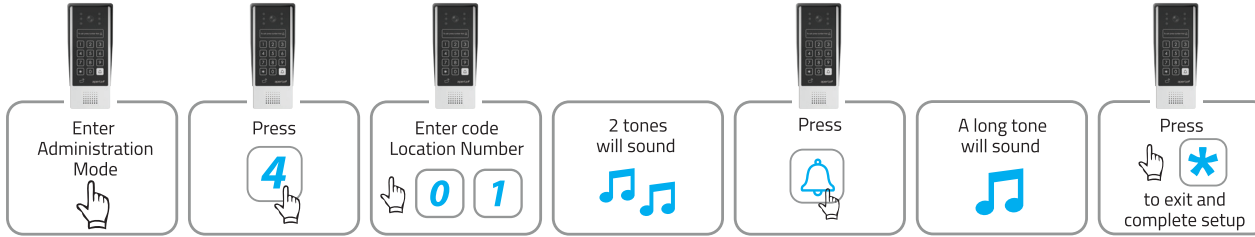


Setting a lock release code

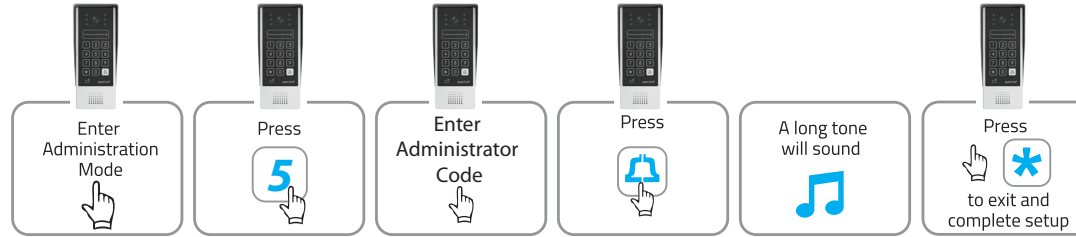


Door Station Programming Guide

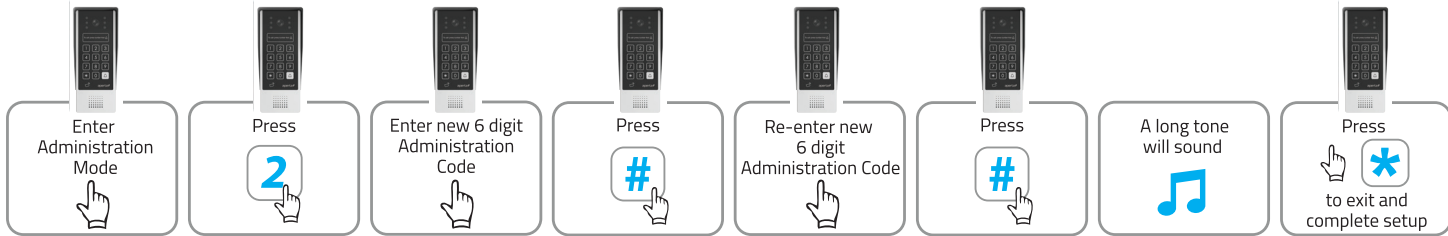
Deleting a lock release code



Deleting all lock release codes



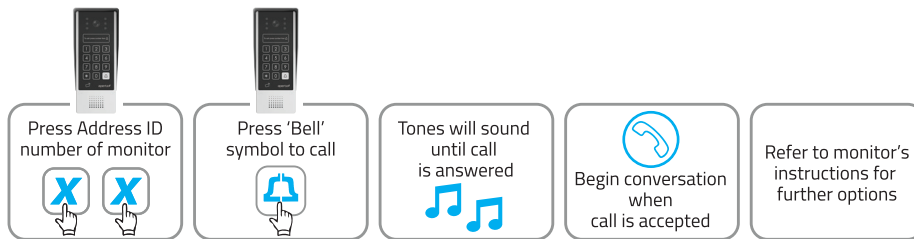
Changing the Administrator code



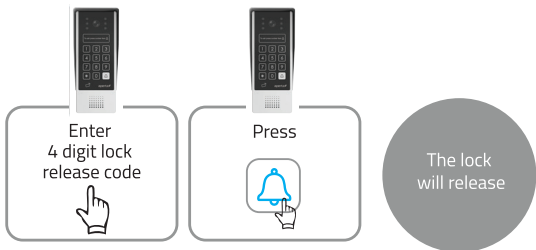


Door Station Keypad User Guide

Making a visitors call



Using the lock release code





Door Station Programming Guide

Proximity Tag Release Function

The APDSPXMW is supplied with 10 blue user tags that are pre-registered to release the door.

3 Green tags are supplied which are the programming 'ADD' tags
3 Red tags are supplied which are the programming 'REMOVE' tags

It is important to retain these tags for future use

Adding Additional User Tag(s)



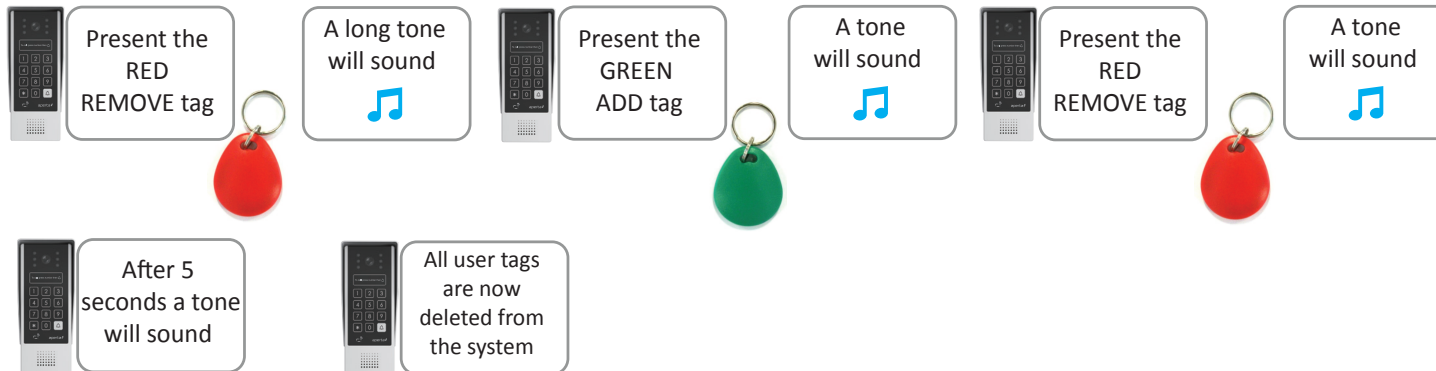
Deleting User Tag(s)





Door Station Programming Guide

Deleting All User Tags





Installer's troubleshooting Guide

Master / Slave Setting

Please ensure that each monitor has been programmed either as a Master or Slave position. When the apartment number is pressed from the door station the Master monitor will ring & display an image, whilst the Slave will only show an image once answered.

In the event of no video or audio signals coming from the monitor, or if the call button or audio cannot be activated on the door station, check the following:

- A That the system is powered sufficiently.
- B Each monitor needs to have set an Address ID, set to a master or slave position and configured Video Match switch.
- C All system cabling is secured and properly connected.
- D All system cabling is clear of breaks or short circuits.
- E Bench test the system if the issue cannot be found.

In the event of a lock release issue, check the following:

- A The user instructions and operation of the monitor has been understood.
- B That the lock is powered sufficiently.
- C All system cabling is secured and properly connected.
- D All system cabling is clear of breaks or short circuits.
- E On the rear of the door station, ensure the lock output is switching when activated by the monitor.

In event of 5 tones sounding from keypad during programming:

- A Please check an incorrect command has not been entered.
- B The code that has been entered is already in use.

Optional Accessories



APMONW/ APMONB
Monitor white/black



APMONWG / APMONBG
Monitor white/black



EVBPSBB
Lock Power Supply



EV-EXIT
Push To Release



EV-EBG
Emergency Release



EV-ML-250/500XT
Electro-magnetic Lock



ENTERD
Electric Lock









Elite Security Products

Unit 7, Target Park, Shawbank Rd
Lakeside, Redditch B98 8YN



Telephone: 01527 51 51 50
Fax: 01527 51 51 43
email: info@espuk.com

E&OE - Errors and omissions excepted. A18

www.espuk.com

