

BRITMAC FLOOR DISTRIBUTION SYSTEMS

Materials

All systems are constructed from high quality materials and are designed to meet relevant British and International Standards including the installation requirements of the IEE Wiring Regulations.

Raised Access Floors

Throughout this catalogue the term Raised Access Floor has been used to describe any modular flooring system which is supported on adjustable pedestals providing a service void. Other names frequently used are Cavity Floor, False Floor, Platform Floor, Access Floor, Computer Floor, etc.

GROSVENOR RAISED ACCESS FLOOR BOXES

Floorboxes

The Grosvenor floorbox has been designed to withstand working loads of the PSA MOB PF2 PS/SPU specification for raised floors. The floorboxes listed within this catalogue are capable of accepting a very wide range of accessories fitted in any compartment. However, certain combinations do impose restrictions on positioning, due to the clashes of connectors, plug tops or the cables themselves.

Accessories

All accessory plates are supplied complete with the appropriate thread cutting screws. Each fixing hole in the unit frames is unthreaded and deep plunged for ease of location of fixing.

The minimum plug clearance between accessory plate and underside of floor is 34mm.

POWER (13A)

- Twin Earth sockets.
- Non-standard sockets.
- Clean Earth sockets.

TELEPHONE

Components for most British Telecom, Mercury and other national and international systems.

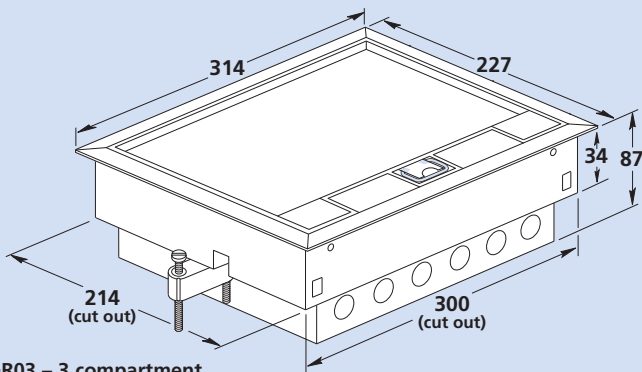
DATA

A wide range of components to suit virtually all systems in current use. These include IBM, Wang, Phillips, ICL and many others.

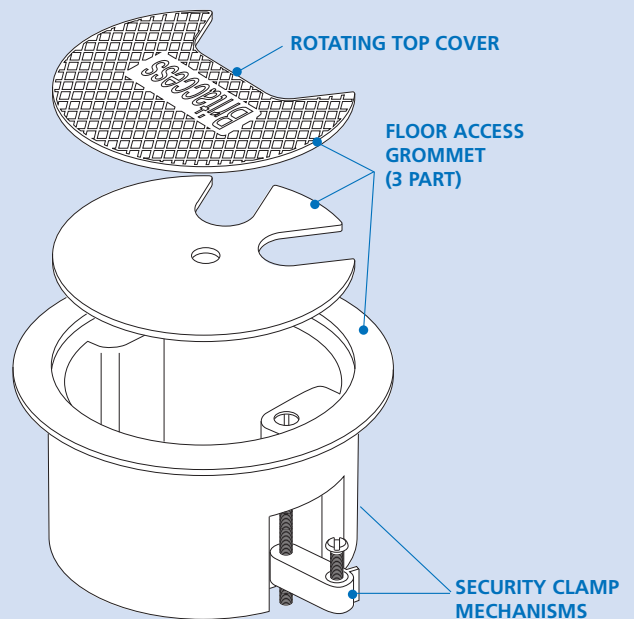
All dimensions in mm Tolerance on cut-out dimensions is ±1mm



GROSVENOR 'FAST FIT' RAISED ACCESS FLOOR BOXES



**GR03 – 3 compartment
GR04 – 4 compartment**



SPECIFICATION
Top Element (Grommet Only)

Dimensions:

O/A Diameter	150mm
Internal Diameter	120mm
Depth	65mm

Material: High Impact ABS

Colour: RAL 7016