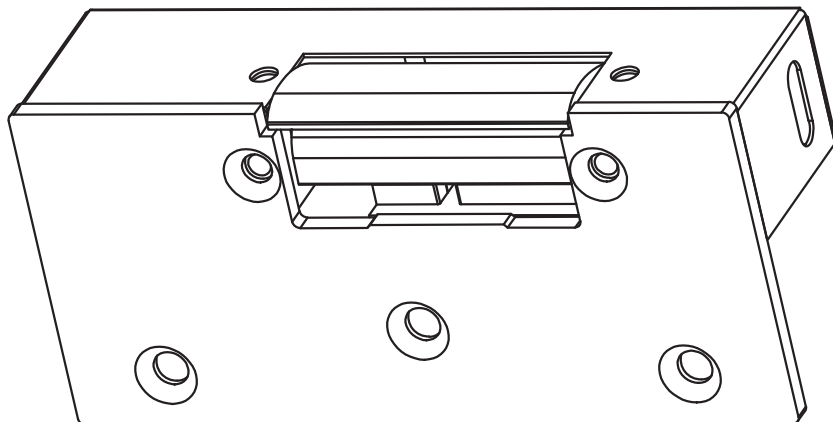


A1SLS Manual

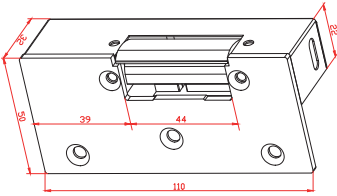
Aperta Fail Secure Surface Strike Lock



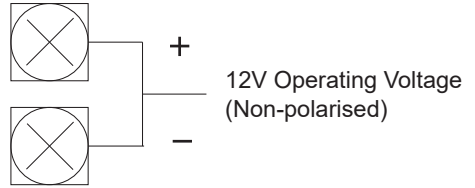
The latest product manuals and software is available online:
https://www.espuke.com/technical_support



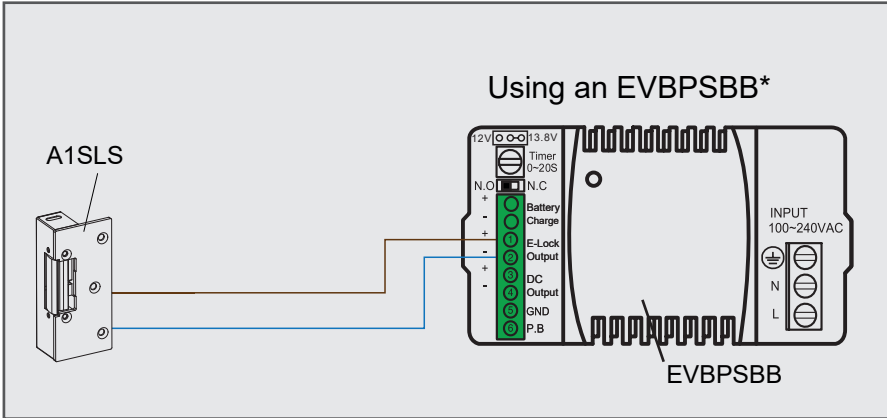
Dimensions



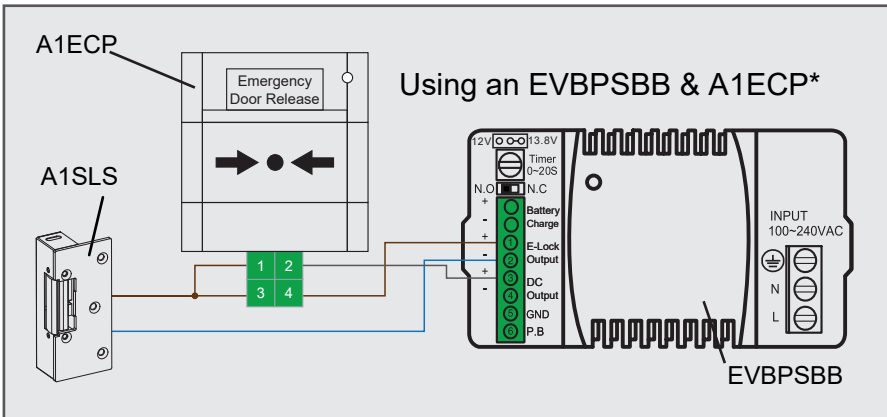
Operating Voltage



Wiring Examples



Notice: EVBPSBB or A1ECP not included



Contact Details

ESP

Elite Security Products UK, Unit 7 Target Park, Shawbank Road, Lakeside, Redditch, Worcestershire, B98 8YN
 Tel: +44(0) 1527 51 51 50 Fax: +44(0) 1527 15 01 43 Email: info@espu.com
 Registered in England, Company Registration Number: 02769392, VAT Registration: GB614686525

For more product information please visit www.espu.com
 E&OE - Errors and Omissions Excepted. I22

● ● ● ● ● ScolmoreGROUP

